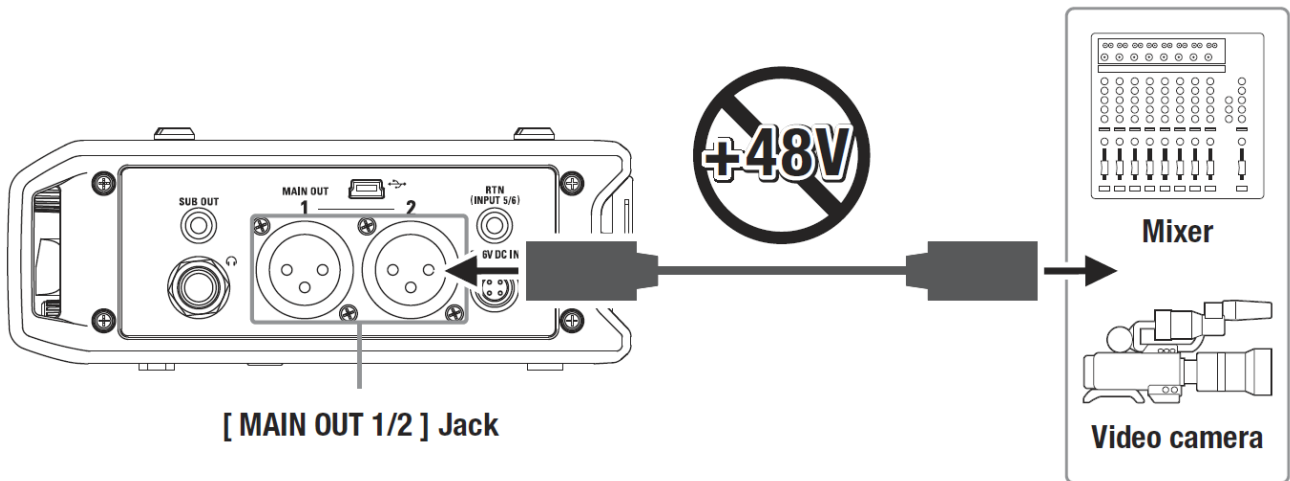


Do not apply phantom power to the F4's outputs



When connecting a video camera or mixer to the MAIN OUT 1/2 of the F4, please make sure to turn off a phantom power of its input. Since they are not designed to accept phantom power, the F4's output circuitry can be damaged.